

2400 KIT

2400 Kit is a universal, burglary-resistant electric strike, compatible with a wide range of cylindrical locksets. The kit includes two faceplates and is dual voltage and field reversible between fail-safe and fail-secure.

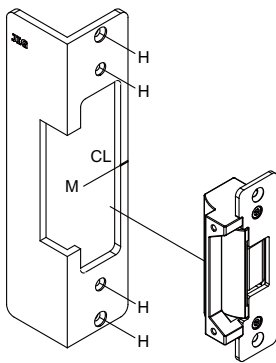
Optional accessories are specifically designed for this universal electric strike, 2402 jig is a useful tool for jamb preparation while 1" and 2" lip extensions are also available.

STANDARD FEATURES

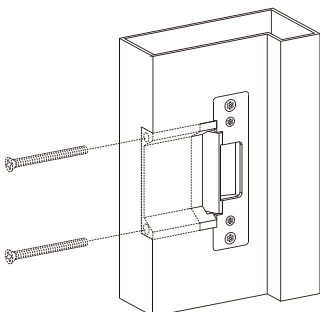
- Dual voltage 12/24 VDC field selectable (VAC for intermittent duty), PoE friendly.
- Field reversible: fail-safe or fail-secure
- Non-handed, fully reversible
- Complete with two stainless faceplates: 1 1/4" x 4 7/8" (ANSI) and 1 7/16" x 7 15/16"
- Tested to 250,000 cycles (UL Certified)
- Low Profile: 1 1/4" depth overall
- UL Listed for burglary-resistant under file CVXY.BP3741



2402 JIG INSTALLATION




5525/5550 INSTALLATION



SPECIFICATION

VOLTAGE	12/24 VDC
CURRENT	300 mA/12 VDC, 150 mA/24 VDC
STATIC STRENGTH	1000 LB (454 KG)
DYNAMIC STRENGTH	50-ft-lbs. (6.91 m-kgs)
DIMENSION	4 7/8" (L) x 1 1/4" (W) x 1 1/4" (D)
OPERATING TEMP.	32°F to 120°F (0°C~+49°C)

OPTIONAL ACCESSORIES

MODELS	DESCRIPTION
 2402 JIG	Jamb Preparation for ANSI Sized Strike
 5525 5550	1" Lip Extension (Model: 5525) 2" Lip Extension (Model: 5550)

ELECTROMAGNETS

ELECTRIC STRIKES

EXIT DEVICES

MISC. ACCESS CONTROL